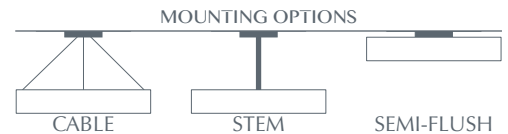
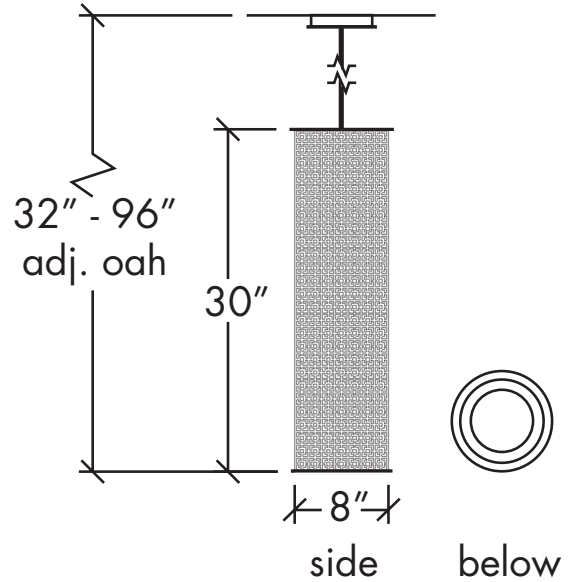


ULTRALIGHTS



CLARUS 14304

Base Specifications:

8" dia x 30" h x 32" - 96" adj OAH
 10: WRL - 1 x E26 - for LED Retro 20W max
 Opal Acrylic Internal Diffuser
 Cable hung*

Notes:

04 Lamping: Wattage and Lumens - Initial at the source, no black power cord
 Shown in: A1 - Angles

14304				
MODEL	PERF	FINISH		LAMPING
<p>*Modifications:</p> <input type="checkbox"/> Cable hung (Standard) <input type="checkbox"/> Stem mount: ____ OAH <input type="checkbox"/> Semi-flush mount (1" - 1.5" from ceiling to top of fixture) <p>Other Modifications:</p>	<p>A1 - Angles </p> <p>CL - Cloverleaf </p> <p>RD - Round </p> <p>SQ - Squares </p>	<p>BA - Bronze Age BK - Black BP - Black Pearl CB - Cast Bronze CH - Chestnut CR - Chrome DI - Dark Iron EB - Empire Bronze MB - Medieval Bronze NB - New Brass SB - Smokey Brass SP - Satin Pewter SS - Smoked Silver</p> <p>DIFFUSER</p> <p>OA - Opal</p>		<p>03: Dry / Damp Loc Incan - 1 x E26 - 60W max - 120V 04: Dry / Damp LED - 49.6W - 7787 Lumens No Black Power Cord</p> <p><input type="checkbox"/> (Dim w/ Std Phase Dim) - 120V <input type="checkbox"/> (Non-Dim or Dim w/ 0-10V Dim system) Universal</p> <p>10: WRL - 1 x E26 - for LED Retro 20W max - 120V</p> <p>COLOR TEMPERATURE / CRI</p> <p><input type="checkbox"/> 3000K (Standard) - CRI available upon request <input type="checkbox"/> 2700K - CRI available upon request <input type="checkbox"/> 3500K - CRI available upon request <input type="checkbox"/> 4000K - CRI available upon request</p>

Project Name: _____
 Project Location: _____

Specifier Name: _____
 Specifier Location: _____

Quantity: _____
 Fixture Type: _____