

## VTU-12W-30K VTU-12W-50K

### LED UNIVERSAL VAPOR LIGHTS

Ideal for Walk-in freezers, subways, basements, parking garages, car washes, swimming pools, laundry facilities, public bathroom, transportation, sports facilities, locker room.

#### ELECTRICAL SPECIFICATIONS:

- Voltage: 120~277V/60Hz
- Wattage: 12 W
- Power factor: >0.95
- Efficacy: 75 LM/W

#### HOUSING SPECIFICATIONS:

- Die-Cast housing and guard
- Silver Powder-Coated Finish
- Frosted borosilicate glass
- Junction box can be replaced with standard round Weatherproof boxes
- Operating temperature: -40°F to 104°F
- IP Rating: IP65

#### CERTIFICATIONS: UL, DLC

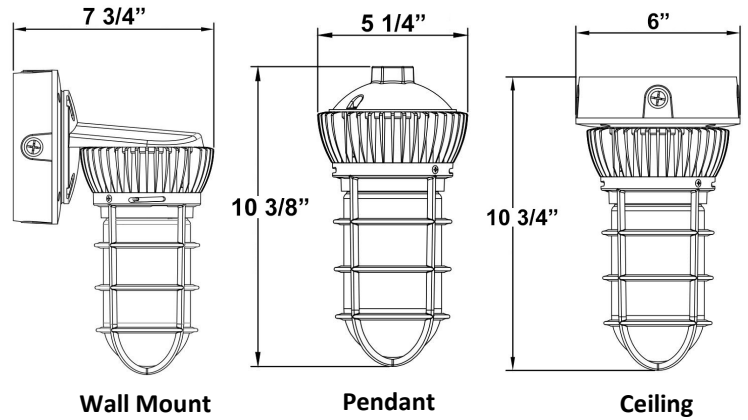


JOB NAME: \_\_\_\_\_

DATE: \_\_\_\_\_

TYPE: \_\_\_\_\_

#### DIMENSIONS:



MODEL	WATTS	VOLTAGE	LUMENS	COLOR TEMP
VTU-12W-30K	12W	120~277 V	900LM	3000K
VTU-12W-50K	12W	120~277 V	900LM	5000K

#### LIGHTING SPECIFICATIONS:

- LED Chip: LUMINUS XNOVA COB
- Lens: Heat resistance glass with sandy spray
- Total lumens: 900 LM
- Color temperature: 3000K/5000K
- Color rendering index: >80
- Beam Angle: 175°

#### WARRANTY: 7 years

